

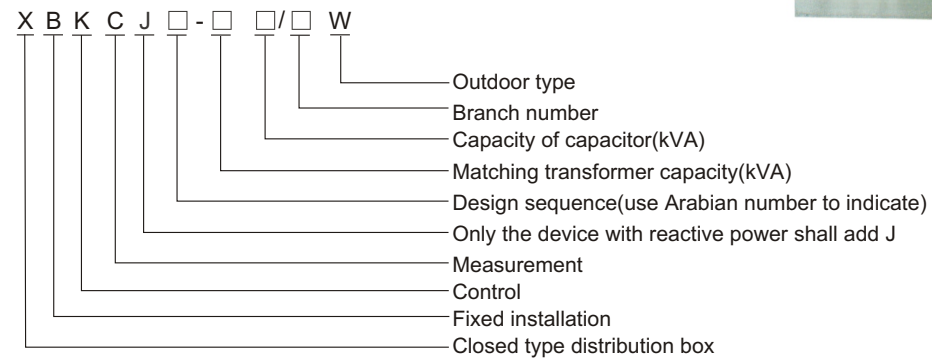
XBKCJ Low Voltage Integrated Distribution Box

Summary

XBKCJ type low voltage integrated distribution box is a kind of low voltage complete-set switch equipment developed according to requirements of national rural grid construction, development and reconstructive department, under the principle of safety, economical, reasonable and reliable. The connection scheme of its technical standard, technical criterion, measuring unit is in accordance with instructions manual to energy measurement panel development and installation, and to select measurement license, production license, enter-into-grid license safe series quality product for development. It is widely applied to AC 50/60Hz, rated voltage of 380/415V distribution system for conversion, distribution, control, measuring, compensation and protection of energy in power, lighting and distribution equipment. This product has high breaking capacity, good dynamic-thermal stability, flexible electrical scheme, new design structure, high protection class etc.



Model



Structure feature

- The main frame of product adopts 1.5mm thickness cold-rolled plate or stainless steel to folding, the frame adopts partly-welding structure model, also can adopts heat-shielding structure of stainless steel double-layer patent. The main frame is arranged with the pole of modular hole.
- The device is designed according to three-phase five-wire system and three-phase four-wire system.
- To design capacitance compensation function in order to meet the requirements of power supply improving power factor.
- In order to improve dynamic-thermal stability capability of busbar and the contact surface temperature rising, all devices adopt TMY-T2 series hard-copper busbar, the copper busbar adopts tinning disposal.
- The protection class is IP43.

Ambient condition

- Ambient temperature: -25°C~+40°C, average temp. in 24 hours: ≤+35°C; lower capacitance according to actual conditions when exceeding +35°C.
- Altitude: ≤2000m;
- Relative humidity of ambient air under 40°C highest temp: ≤50%, so it is allowable to exist larger relative humidity under low temperature, such as 90% of 20°C. There will be have dew under the condition of high temperature low down hastily.
- The oblique mounting angle: ≤5°C;
- Applicable occasions should free from explosives, corrosives and severe vibrations.

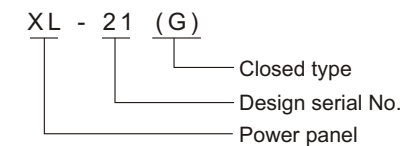
XL-21(G) Low Voltage Power Panel

Summary

XL-21(G)X LV closed type power panel can be used in AC 500V or lower system of three-phase three-wire, three-phase four-wire, three-phase five-wire for electricity-generating and mine enterprises, also for the purpose of power, lighting, distribution. XL-21(G) type low voltage power panel has flexible distribution scheme, convenient combination, good practical performance, new structure and etc.



Model



Structure feature

- Main electrical performance shall completely comply with regulations of IEC60439-1:1992, GB7251.1-1997.
- The auxiliary circuit has functions of local/remote, remote, automatic control and in-site/remote, remote control switch. The contactor can adopt DC protection.
- Receiving main switch has optional protection of instant trip and pyromagnetic trip. Can cancel instant protection for matching next class main-switch, avoid skip-class tripping, and has functions of motor/manual operation and automatic switch.
- Main switch of feeding circuit has protection of instant trip and pyromagnetic trip. Can add fault protection if customer required.
- The motor control circuit has protection of short-circuit instant, overload, undervoltage release and phase-break.
- Ammeter and voltage meter for incoming circuit.

Ambient condition

- Altitude: ≤2000m;
- The indoor environment shall be non-ash, non-corrosion gas, and rainwater-proof;
- Ambient temperature: -25°C~+40°C, the measured average temp. in 24 hours: ≤35°C; the temp. under storage and transportation condition: -25°C~+55°C, the temp. in short time ≤70°C;
- Relative humidity under the highest temp. of 40°C: ≤50%;
- No vibration and the oblique mounting angle: ≤5°C.

Structure feature

- XL-21(G) type low-voltage close type power cabinet, to be assembled with C type or 8MF type material. The frame and special parts will be supplied by our company in order to guarantee the accuracy and quality of cabinet. Other cabinet parts is designed according to scale principle with high generalized coefficient, and can fulfill production in advance.
- Use removable height to connect cabinet door and frame, convenient installation and unloading.
- The earthing of instrument door for electrical components installation adopts soft multi copper wire to connect frame. The installation parts in cabinet connect the knurled washer, the complete cabinet comprises the integrated earthing protection system.

Technical specification

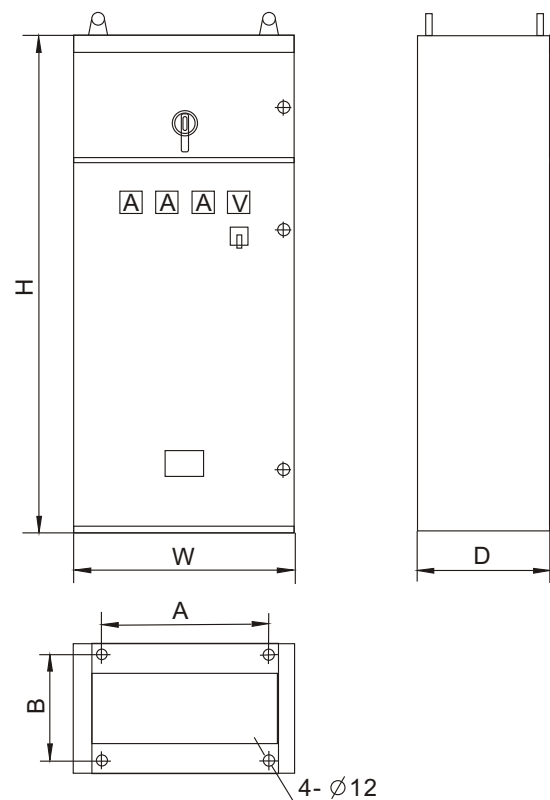
No.	Item	Unit	Data
1	Main circuit rated voltage	V	AC:400
2	Auxiliary circuit rated voltage	V	AC:220,380
3	Rated frequency	Hz	50/60
4	Rated insulation voltage	V	660
5	Rated current	A	≤1250

Outline and installation dimension

(mm)Table3

Height	Width	Depth	B × A Installation size(C type material)
1600	600	400	300 × 500
1600	600	600	500 × 500
1600	600	400	300 × 500
1800	600	600	500 × 500
1800	800	400	300 × 700
1800	800	600	500 × 700
2000	800	400	300 × 700
2000	800	600	500 × 700

Note: 1. The dimension of cabinet can be according to the diagram from customer.
2. The dimension showed in the diagram do not include the door and right-left board.

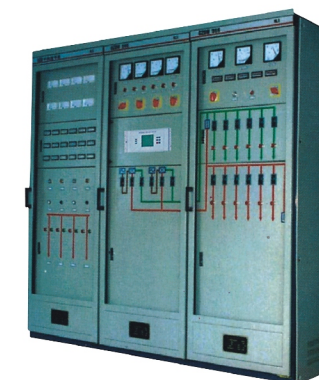


XL-21(G) Power panel outline mounting dimension

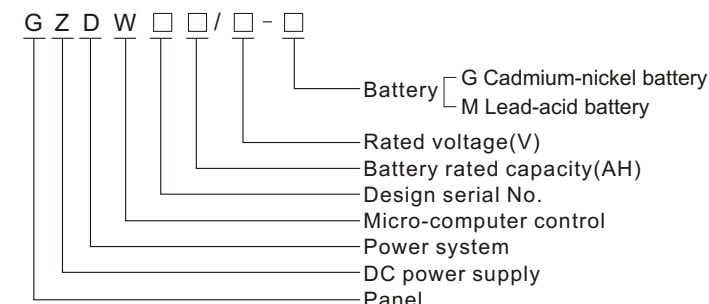
GZD(W) Micro-computer DC Power Supply Panel

Summary

GZD(W) micro-computer DC power supply panel is a new product which mainly design for nobody monitor substation. It applies to power plant and substation as a DC power supply to open and close HV switch and relay protection automatic control fault lighting.



Model



Technical specification

1. Input voltage: AC380V ± 10%;
2. Output voltage: DC220V, DC110V, DC48V;
3. Output current: 10,20,30,40,50,60,100,200A;
4. Voltage regulation precision: ≤ 1%;
5. Permanent flow precision: ≤ 1%;
6. Permanent flow factor: ≤ 1%;
7. Main transformer temperature rise: ≤ 60°C;
8. Noise: ≤ 55dB;
9. Working type: Continuous working.

Product feature

1. Equal charge and floating charging condition for choice, convenient to adjust voltage, Be with function of voltage regulation limit current and permanent flow limit voltage for choice.
2. Micro computer monitor unit adopts large LCD screen, perfect human-machine interface. Display battery capacity, battery voltage, charging current, control busbar voltage, load current and DC system parameters in English. It will be perfect equal current performance to circulate multi module. Another modules will be normal circulation when plug in or out anyone module separately. Restart to throw in after AC loss electricity, the system can choose the best charging type according battery capacity. The system will be normal if micro computer monitor unit retreat from system.

Design number

Model	Description	Spec.	Application
GZD(W)30-□/□	Single busbar section, single bank battery, two sets double line charging output, no reduction voltage loop	10	Power plant or large substation
GZD(W)31-□/□	Single busbar, single bank battery, two sets double line charging output, no reduction voltage loop	10	Power plant or large substation
GZD(W)32-□/□	Double busbar section, single bank battery, two sets double line charging output	20	10-220kV substation, small & medium scale factory
GZD(W)33-□/□	Double busbar single bank battery, two sets double line charging output	20	10-220kV substation, small & medium scale factory
GZD(W)34-□/□	Double busbar section, single bank battery, two sets triplicate line charging output	20	10-220kV substation, small & medium scale factory
GZD(W)35-□/□	Double busbar, single bank battery, two sets triplicate line charging output	20	10-220kV substation, small & medium scale factory
GZD(W)40-□/□	Single busbar section, single bank battery, two sets double line charging output, no reduction voltage loop	10	Power plant or large substation
GZD(W)41-□/□	Double busbar, double banks battery, two sets double lines charging output	12	10-220kV substation, small & medium scale factory
GZD(W)42-□/□	Double busbar section, double banks battery, triplicate sets double lines charging output	10	Power plant or large substation
GZD(W)43-□/□	Double busbar, double banks battery, two sets triplicate lines charging output	12	10-220kV substation, small & medium scale factory

Note: Press N+1 redundant principle to collocate module quantity when adopts high frequency switch power supply module as charging device.